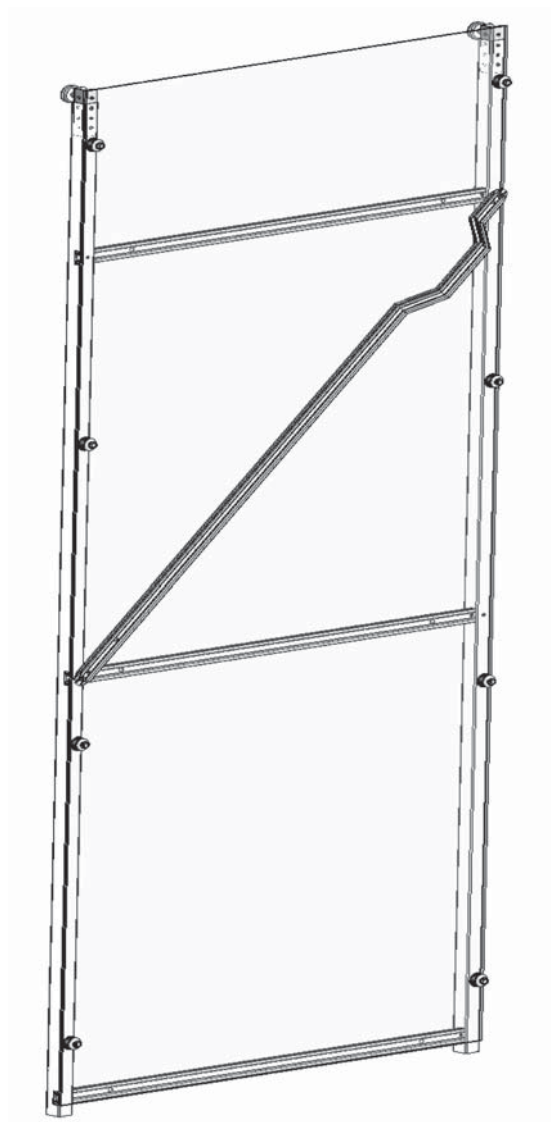


Assembling of the Greenhouse door



Content:

Assembling of the doorframe.....page 38
Multi layered polycarbonate covering instructions
on assembled doorframe.....page 39
Assembling of the door handlepage 39
Assembling of the door in the doorframe.....page 40

Assembling Instructions: Greenhouse Door

Assembly sequence:

1. Assembling of the doorframe
2. Multi layered polycarbonate covering on the doorframe
3. Assembling of the door handle
4. Assembling of the door in the doorframe

Numbers of accessories and quantities can be seen in corresponding tables below.

1. Assembling of the doorframe

Lay out all the assembling parts on the ground (according to the scheme No.1 bellow)

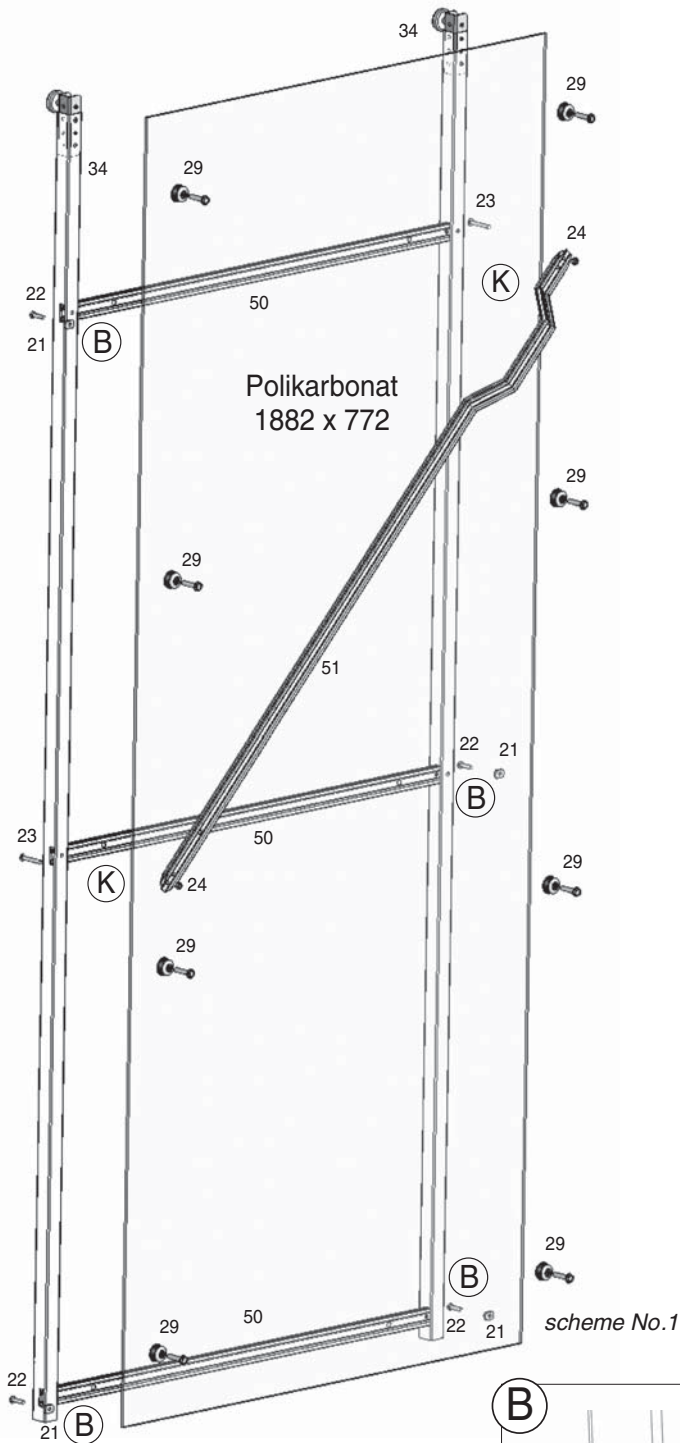
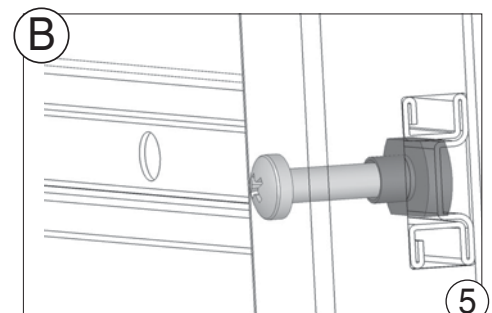
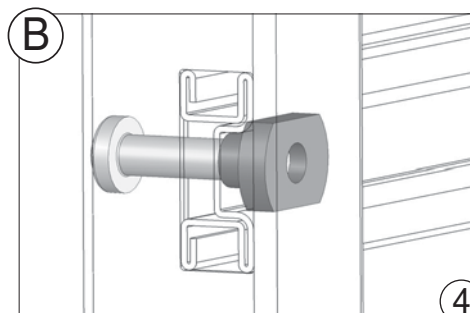
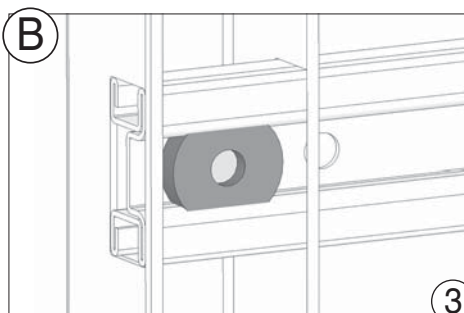
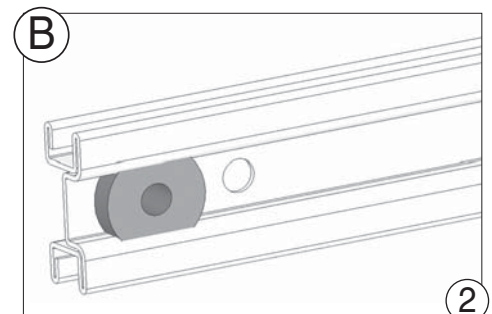
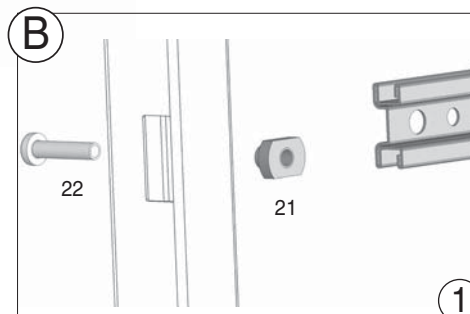


Table No.1. Assembling parts for one door (dimensions in mm)

Part	No.	Quantity	mm
	34	2	1895
	50	3	770
	21	6	
	22	6	M5x20
	23	2	M5x35
	24	2	M5
	51	1	1097
Tapping screw with rubber covered nut (to be purchased with polycarbonate)	29	8	

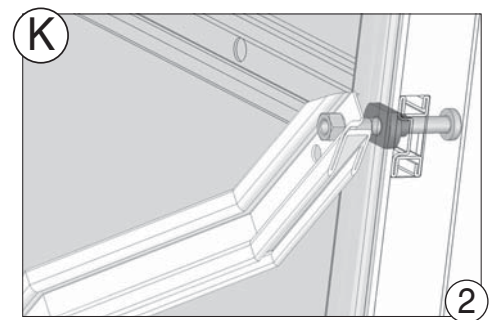
- 1.1. Take two units of part 34 (with wheels) and three units of part 50 (crossbar). Affix them following instructions and drawing No.2, fasten with screw bolt 22 (M5x20) and screw nut 21 – (B).

scheme No.2



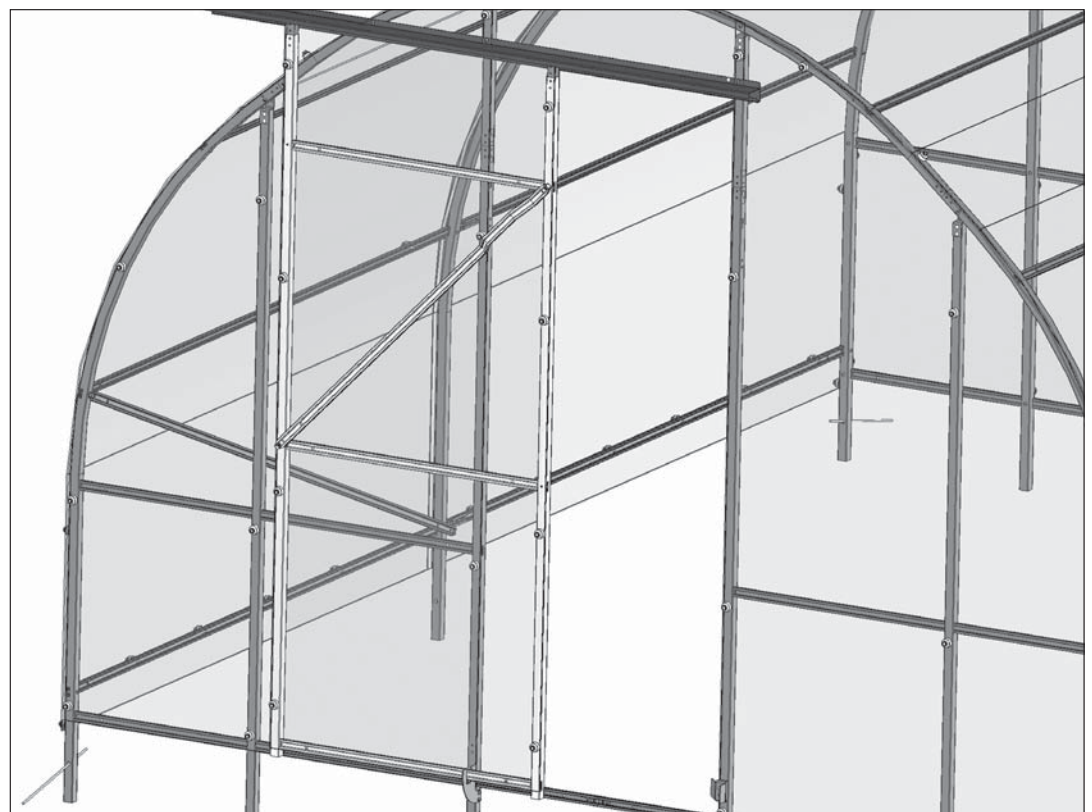
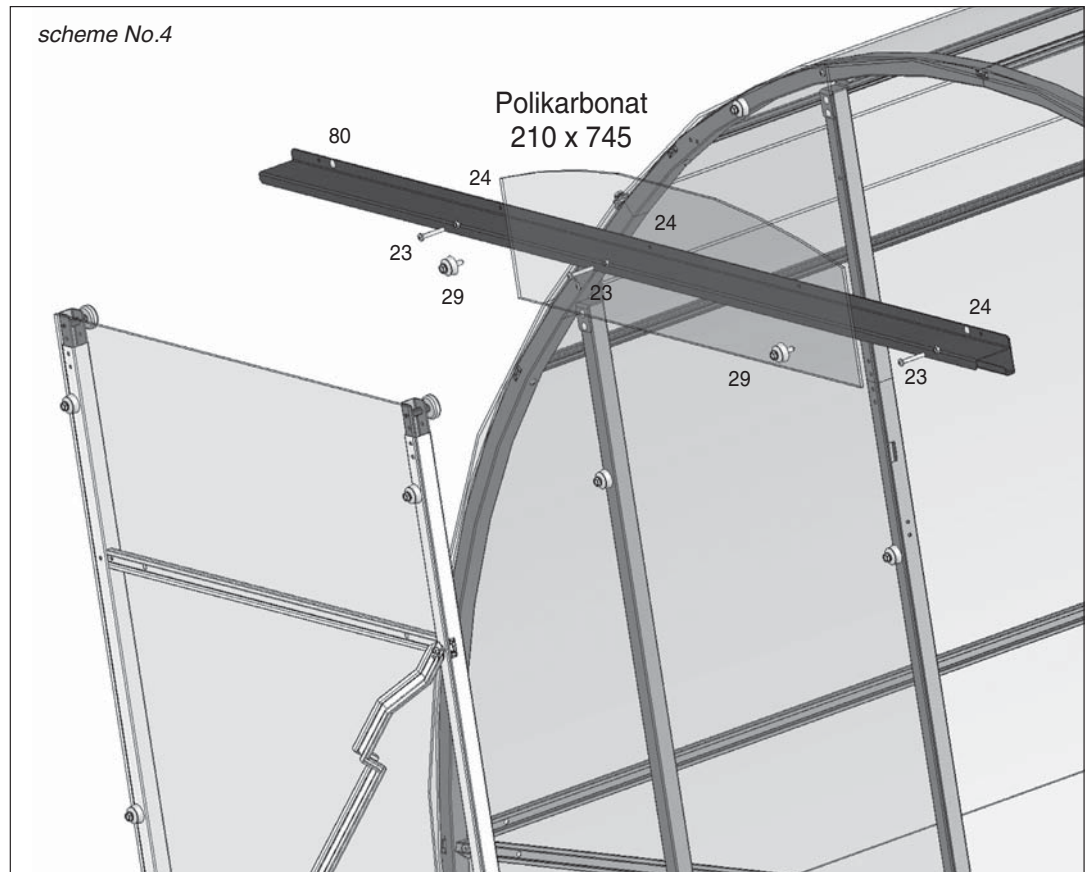
2. Multi layered polycarbonate covering on the doorframe

- 2.1. Cut out a list of multi layered polycarbonate according to the dimensions of the door (1882x772 cm). Affix it to the previously assembled doorframe as its upper edge will be flush with the upper edge of square profiles with wheels (see scheme No.1).
- 2.2. Assemble polycarbonate cover to the doorframe with help of tapping screws and special rubber – covered nuts 29 (purchase separately).



3. Assembling of the door handle

- 3.1. To fasten the handle 51 to the door you have to release bolts 22 in two connections as seen on the scheme No.1
- 3.2. Assemble handle (part 51) with help of bolt 23 (M5x35) and nut 24. -see scheme No.3 (K).



4. Assembling of the door in the doorframe

Assembling of the door is after polycarbonate covering of the greenhouse.

4.1 Affix slide – guide (part 80) to the front wall with doorframe in three points according to the scheme No. 4 (the holes in two legs and arch designed in). Use screw bolt 23 (M5x35) and screw nut 24 (M5) for strengthening the connections.

! Attention!!! In the connection point of the slide – guide 80 to the arch it is necessary to crop polycarbonate covering!

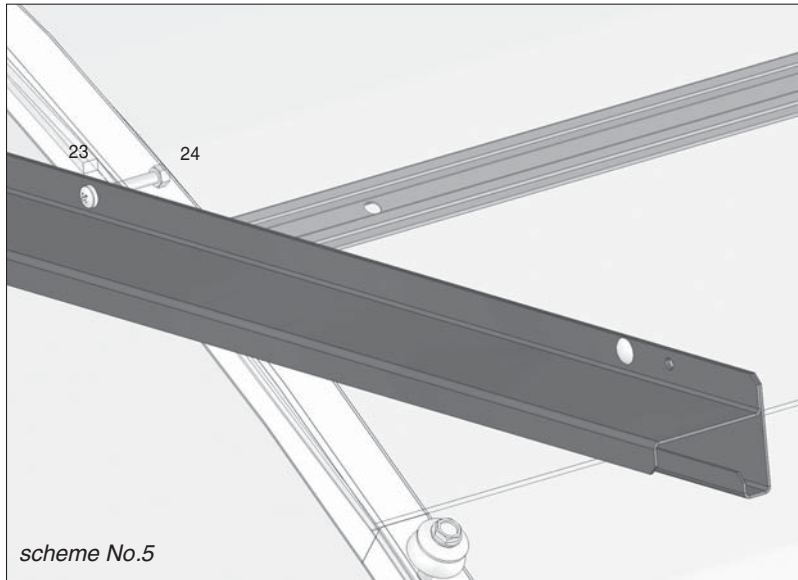


Table No.2. Assembling parts for one door.
(dimensions in mm)

Part	No.	Quantity	mm
	80	1	1560
	81	1	
	82	1	
	23	5	M5X35
	24	7	M5
	27	2	M5x60

4.2. Assembling of the door: insert the door wheels into the slide – guide 80 (scheme 5).

4.3. Affix stopper 81 to the frame according to the scheme No. 6. Use screw – bolts 23 (M5x35) and screw nut 24 (M5).

4.4. Affix stopper 82 to the frame according to the scheme No. 6. Use screw – bolts 23 (M5x35) and screw nut 24 (M5).

! Attention! In case if polycarbonate covering prevents the door to operate properly, it should be cropped in order to avoid malfunctioning.

