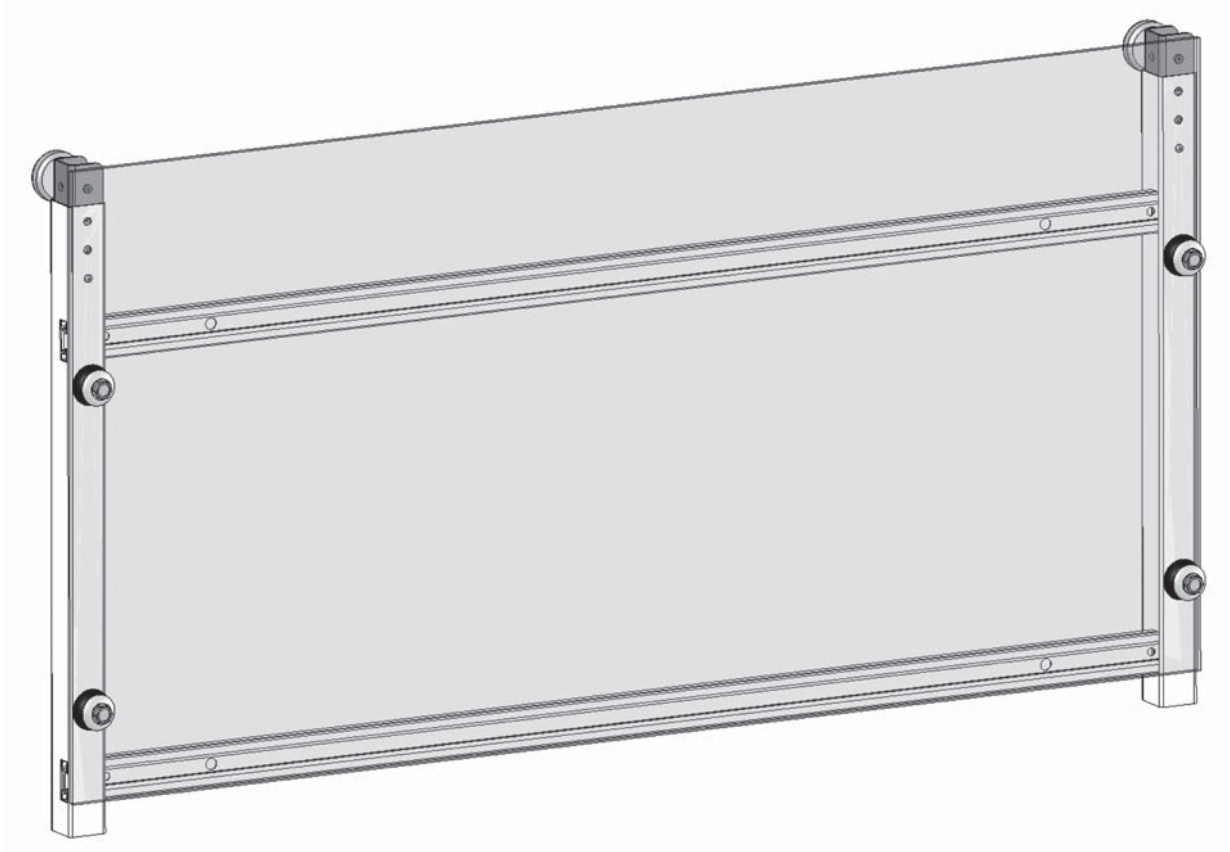


# Assembling of the Greenhouse window



**Content:**

- Assembling of the window frame .....page 42
- Multi layered polycarbonate covering instructions  
on assembled window frame .....page 43
- Assembling of window in the window frame .....page 43

# Assembling Instructions: Greenhouse Window

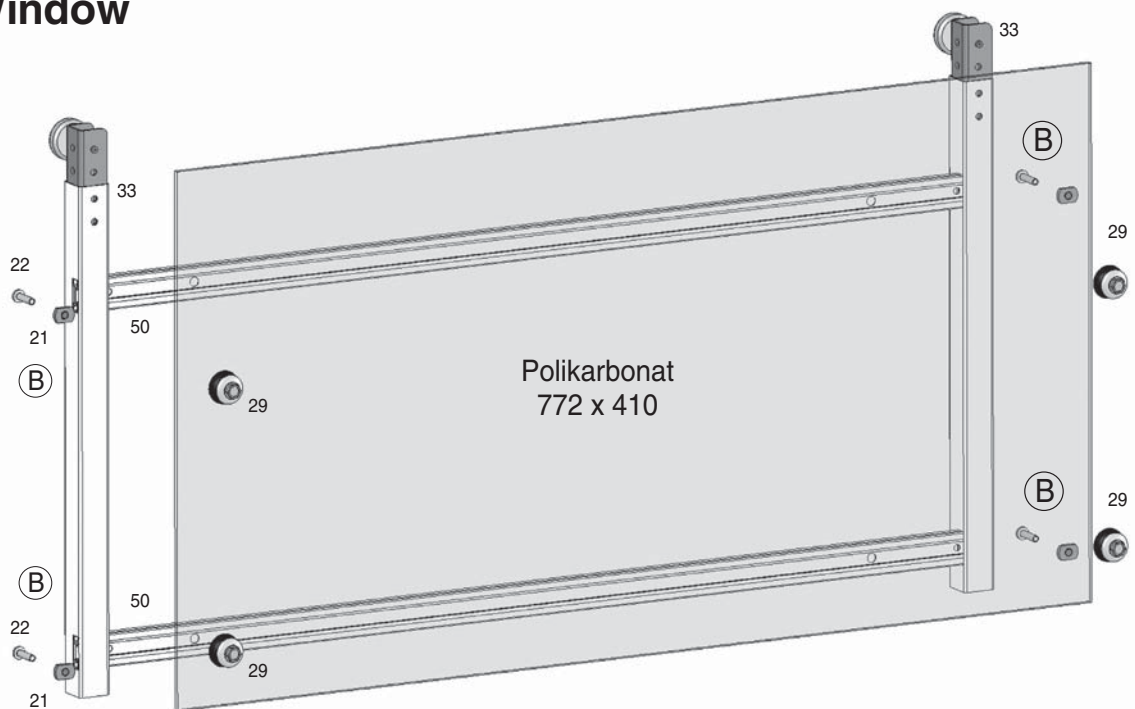
Assembly sequence:

1. Assembling of the window frame
2. Multi layered polycarbonate covering on the window frame
3. Assembling of the window.

Numbers of accessories and quantities can be seen in corresponding tables below.

## 1. Assembling of the window frame

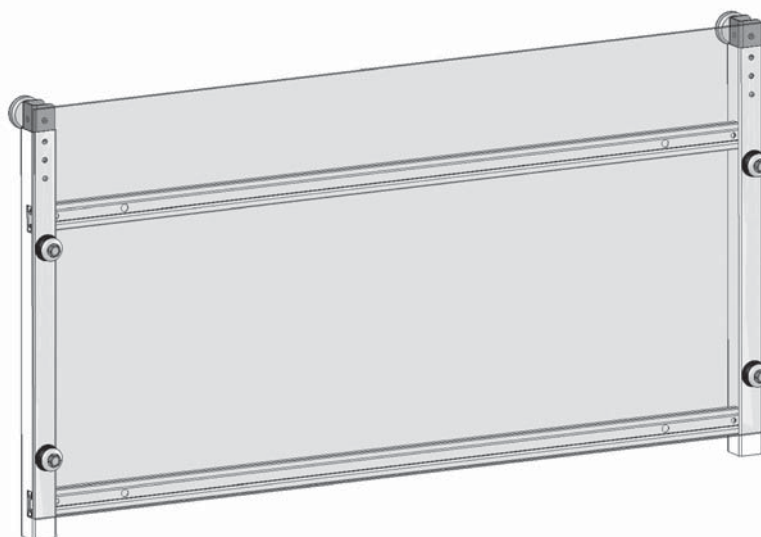
Lay out all the assembling parts on the ground (according to the scheme No.1 below)



scheme No. 1

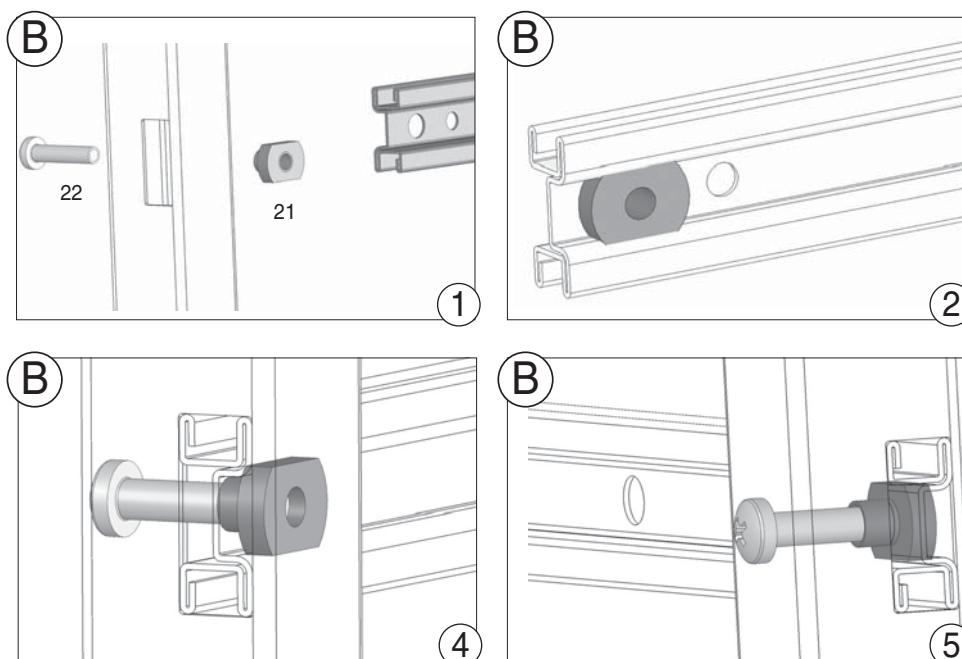
Table No.1. Assembling parts for window.  
(dimensions in mm)

Part	No.	Quantity	mm
	33	2	431
	50	2	770
	21	4	
	22	4	M5x20
Tapping screw with rubber covered nut (to be purchased with polycarbonate)	29	4	



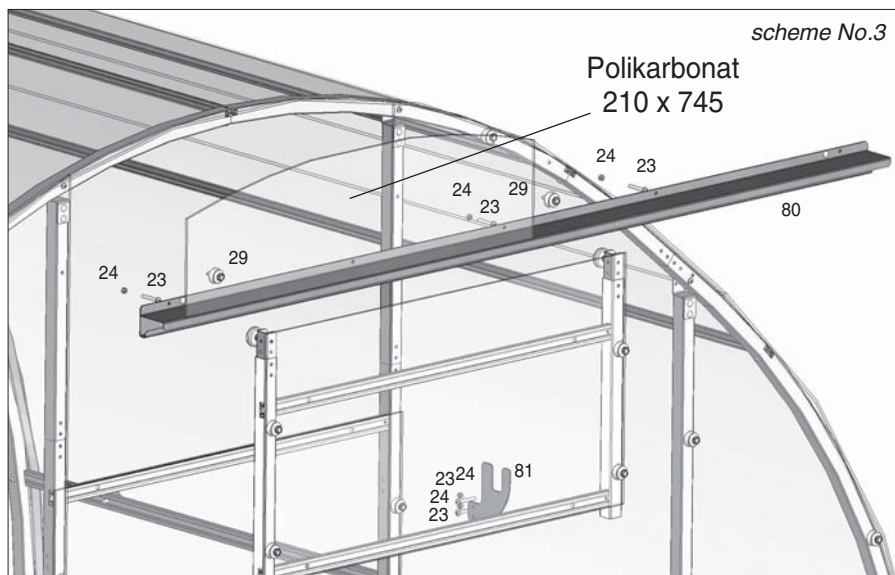
- 1.1. Take two units of part 33 (with wheels) and two units of part 50 (crossbar). Connect them following instructions and drawing No.2, fasten with screw bolt 22 (M5x20) and screw nut 21 – (B).

scheme No.2



## 2. Multi layered polycarbonate covering on the window frame

- 2.1 Cut out a list of multi layered polycarbonate according to the dimensions of the widow (410x772 cm). Affix it to the previously assembled window frame as its upper edge will be flush with the upper edge of square profiles with wheels (see scheme No.1).
- 2.2 Assemble polycarbonate cover to the window frame with help of tapping screws and special rubber – covered nuts 29 (purchase separately).



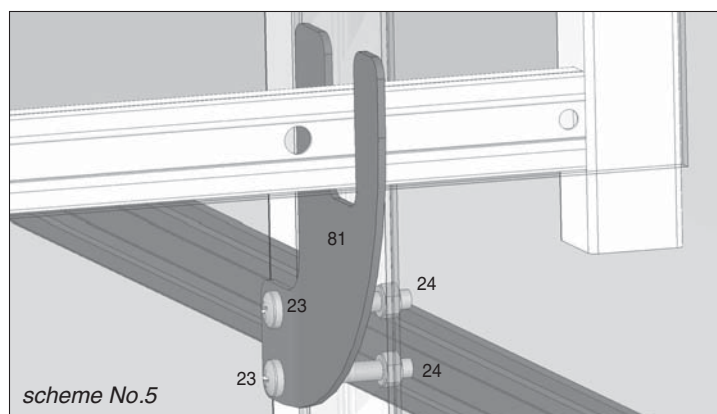
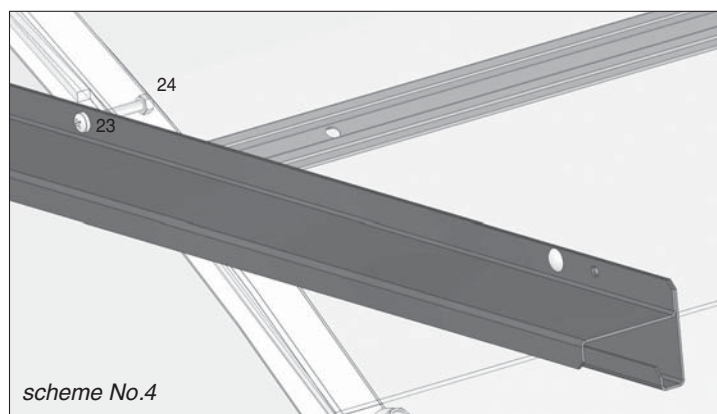
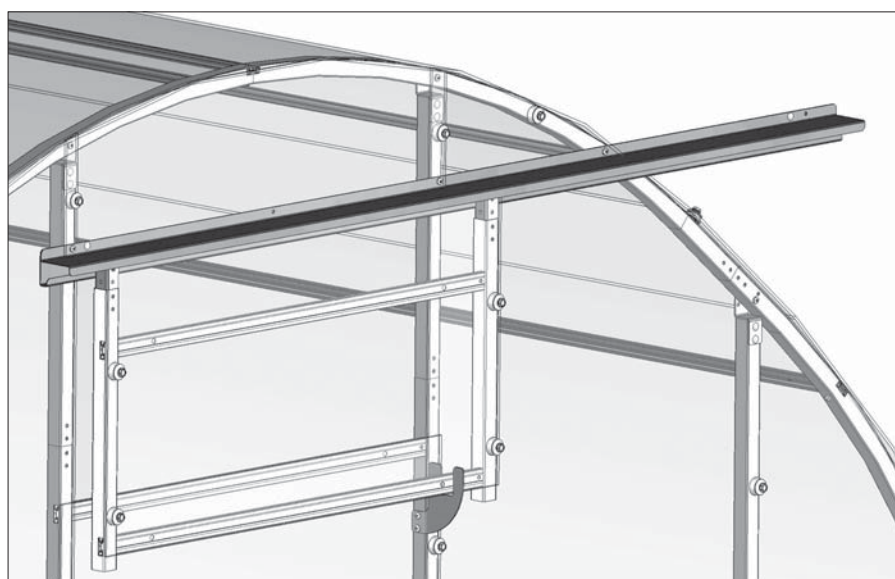
## 3. Assembling of the window

Assembling of the window is after polycarbonate covering of the greenhouse.

- 3.1 Affix slide – guide (part 80) to the front wall with window frame in three points according to the scheme No. 4 (the holes in two legs and arch designed in). Use screw bolt 23 (M5x35) and screw nut 24 (M5) to fasten the connections.

**!** Attention!!! In the connection point of the slide – guide 80 to the arch it is necessary to crop polycarbonate covering!!!

- 3.2 Assembling of the window: insert the wheels of the window into the slide – guide 80 (scheme 5).



- 3.3 Affix stopper 81 to the frame according to the scheme No. 5. Use screw – bolts 23 (M5x35) and screw nut 24 (M5).
- 3.4 Affix polycarbonate window cover ( 210x745) to the length of the slide – guide 80. Crop the upper part of the polycarbonate cover in shape of arch according to the scheme No.3
- 3.5 Assemble arch shaped polycarbonate cover to the frame using tapping screws with rubber covered nuts.

**!** Attention! In case if polycarbonate covering prevents the door to operate properly, it should be cropped in order to avoid malfunctioning.

Table No.2. Assembling parts for window.  
(dimensions in mm)

Part	No.	Quantity	mm
	80	1	1560
	81	1	
	23	5	M5X35
	24	5	M5
Tapping screw with rubber covered nut (to be purchased with polycarbonate)	29	2	